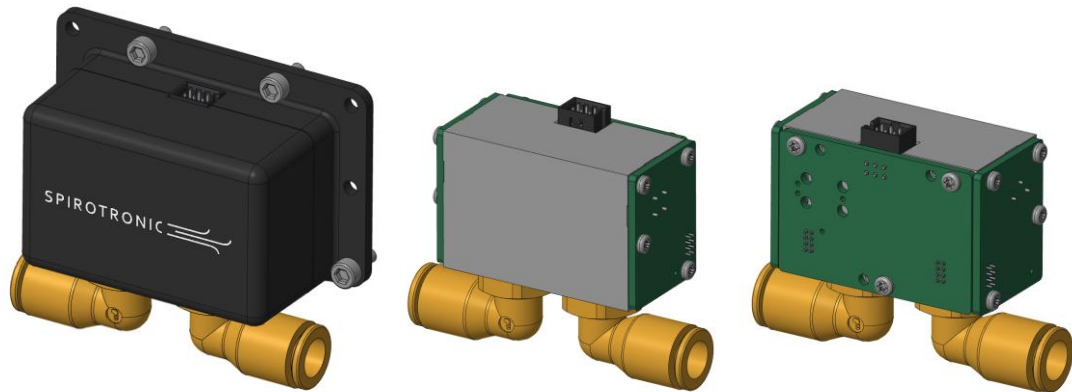


FGA – Fresh Gas Analyzer

Anesthetic agent concentration sensor



Applications

The sensor is designed to measure anesthetic agent concentration in the fresh gas channel of an anesthesia machine, enabling:

- Calculation of the agent consumption to manage hospital cost control
- Monitoring of greenhouse gas emissions
- Improved patient safety by monitoring the concentration delivered from the vaporizer
- Automatic generation of detailed medical records

Anesthetic agents

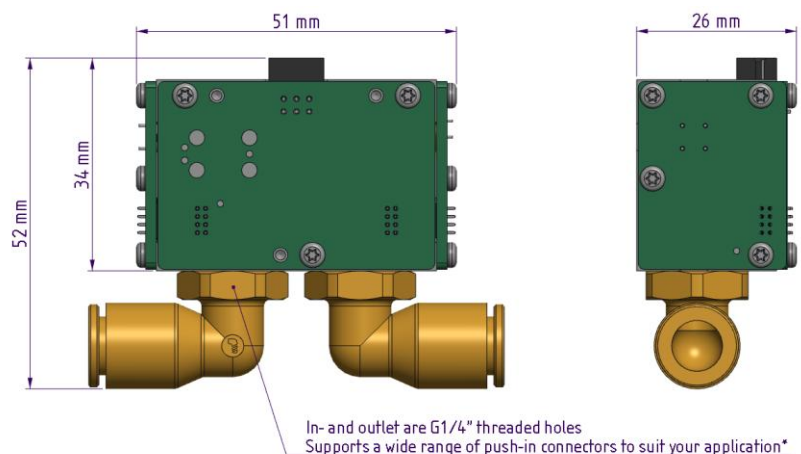
Isoflurane	0-7%
Sevoflurane	0-11%
Desflurane	0-24%

Accuracy

± (0.2 % + 15 % of reading)
(according to ISO 80061-2-55)

Features

- Mainstream measurement
- Working pressure:
700-1600 mbar(a)



*The example image show a Legris 3199 08 13 connector

Please contact us for more information!

Spirotronic AB

Grevgatan 34
114 53 Stockholm
Sweden

info@spirotronic.com
www.spirotronic.com